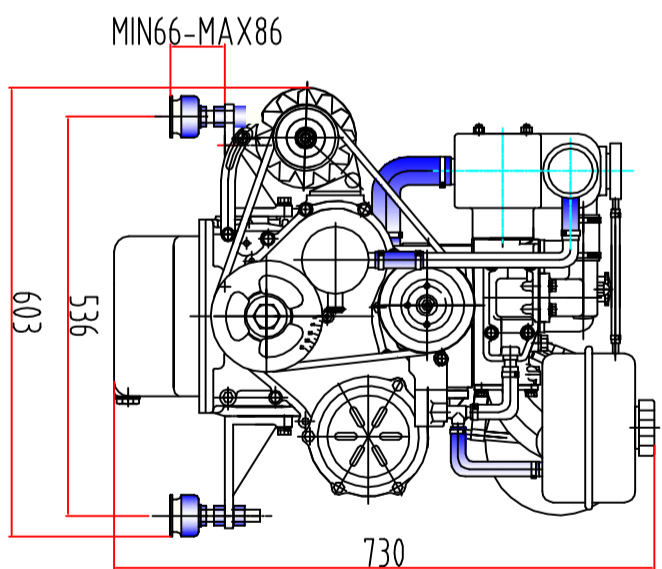


### 土耳其H80变速箱



### Main technical specifications

Model	TDME-490H
Type	Vertical, water-cooling, 4-stroke direct-injection combustion chamber
No. of cylinders	4
Borexstroke(mmxmm)	90x105
Total displacement(L)	2.67
Rate power(HP/r/min)	58/3000
Max. torque(N.m)	≥152
Alternator	14V/750W
Marine gear box	H80
Reduction ratio	2:1 2.4:1 2.77:1
Transmission	Hydraulic
Installation angle	≤20°
Net weight(Kg)	350

